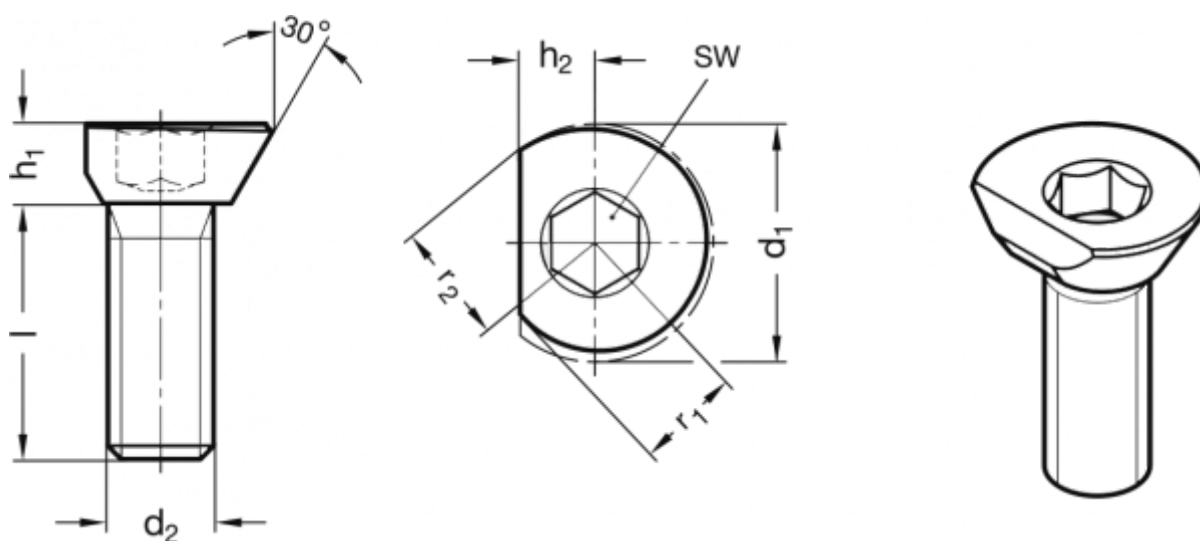


Data Sheet



Article number: 20418214M612R
Description: E+G Cam point screw
GN 418-19-M8-20R

Measures



d1	= 14	s1	= 1.44
d2	= M 6	s2	= 1
h1	= 5	SW	= 4
h2	= 4.5	Torque max N m	= 5
L	= 12	x	= 5.4
Load capacity F (kN)	= 0.3	z	= 6.4
r1	= 6.1		
r2	= 7.1		